

**TPA**  
Standard  
Panel Heater

**TLO**  
Standard  
Strip Heater

**TPA60**  
Low Temperature  
Heater

**TPVD**  
Splashproof  
Heater



#### TPA/TLO Standard

- Modular heaters, prepared for plug-in thermostats
- Large range of thermostats for all heating regulation requirements
- Functional design, the curved front directs the heat flow into the room
- Low surface temperature, safe-guarded against overheating
- Element has large surface area, with low temperature that prevents dust burning and sooty walls
- No sharp edges, and a tough polyester paint finish for easy cleaning
- Accessories: thermostat cover; curtain guard; legs for use free-standing

#### TPA60 Low Temperature

- Functions as TPA
- NB! Max. 60°C outer surface temperature

#### Mains connection: TPA / TLO / TPA60

- 7 x 6 mm<sup>2</sup> connector block
- For permanent installation or plug and lead
- Quick connector between heater and connection box
- Synthetic connection box attached to wall bracket

#### Specifications: TPA / TLO / TPA60

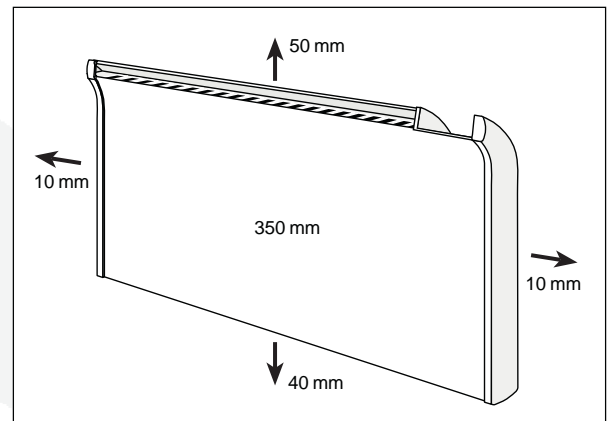
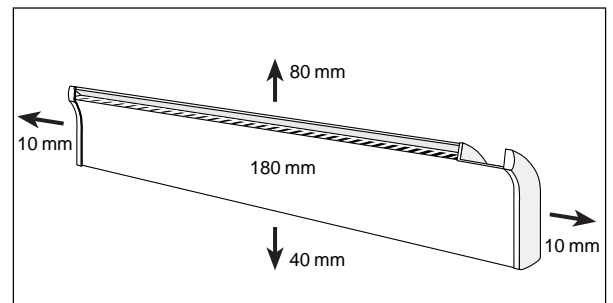
- On/off switch
- Heating element with low specific load 0.13 W/cm<sup>2</sup>
- For permanent installation or using plug and lead
- Quick connector between heater and connection box
- Separate wall bracket allows heater to be swung out from wall
- Overheating safeguard with manual resetting
- Tough surface finish with polyester paint

#### Casing classification / Insulation classification:

TPA, TLO, TPA60 = IP20. Class 1

#### Maximum temperature on outer surfaces:

TPA = 82°C; TLO = 80°C; TPA60 = 60°C



#### Specifications: TPVD / TPVD60 low temperature:

- Splashproof heater for moist rooms
- Supplied with thermostat type EV
- Functional design, the curved front directs the heat flow into the room
- Low surface temperature, safe-guarded against overheating
- Element has large surface area, with low temperature that prevents dust burning and sooty walls
- No sharp edges, and a tough polyester paint finish for easy cleaning

#### Casing classification / Insulation classification:

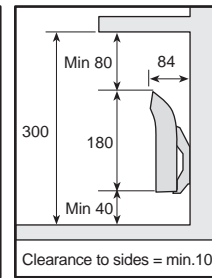
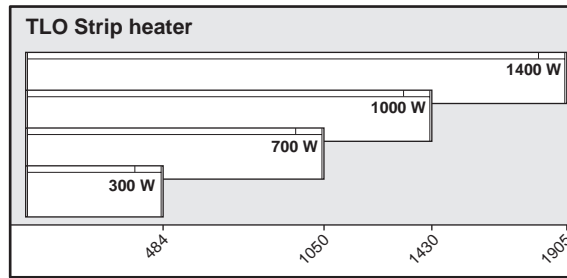
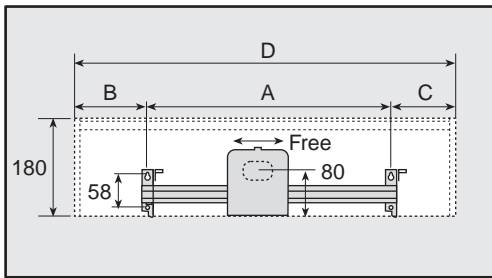
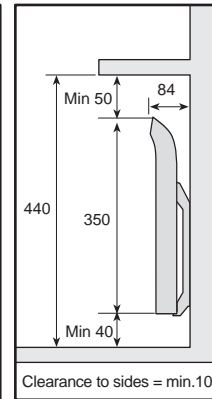
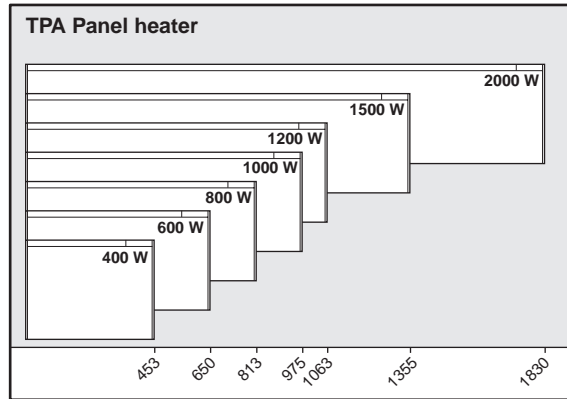
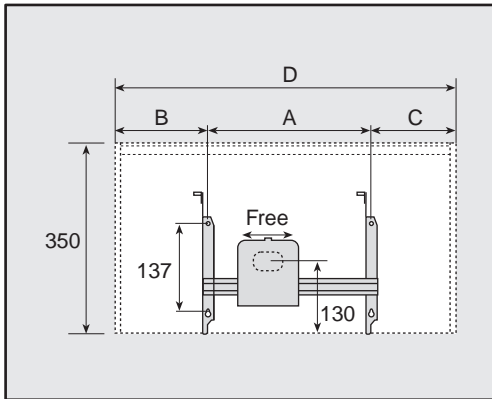
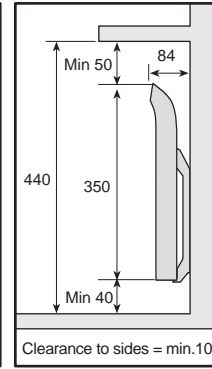
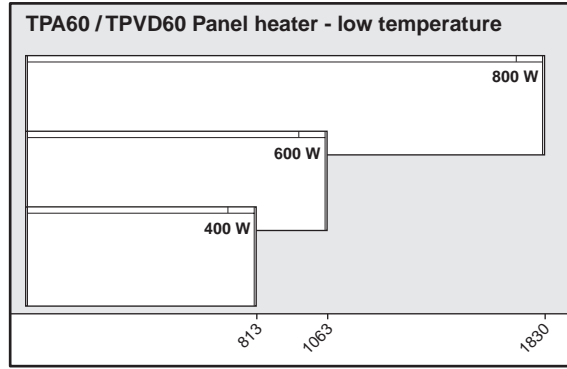
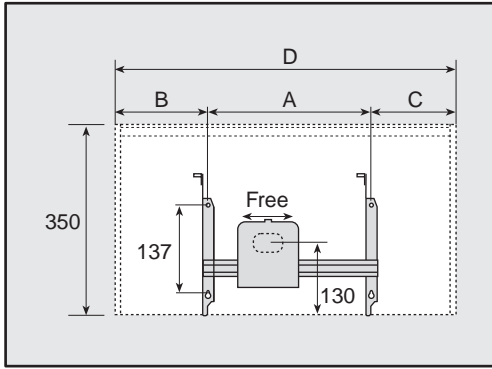
- IP24 C
- Double insulation, class 2

#### Maximum temperature on outer surfaces:

- TPVD = 82°C
- TPVD60 = 60°C

#### Mains connection: TPA / TLO / TPA60

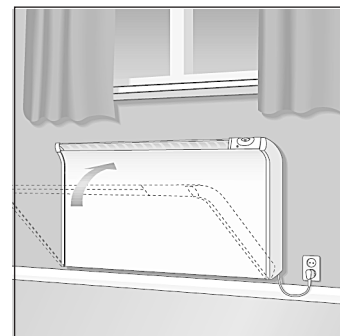
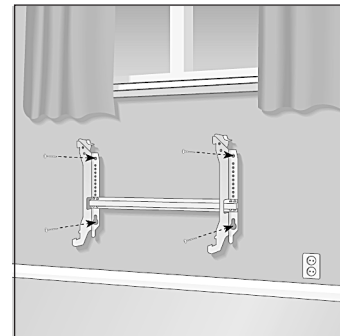
- 7 x 6 mm<sup>2</sup> connector block
- Cable from heater directly to connection box
- Synthetic connection box attached to wall bracket



TPA	Watts	B	A	C	D
TPA	400 *	65	205	187	453
TPA	600	175	300	175	651
TPA	800	251	300	251	813
TPA	1000	187	600	187	975
TPA	1200	231	600	231	1063
TPA	1500	377	600	377	1355
TPA	2000	315	1200	315	1830

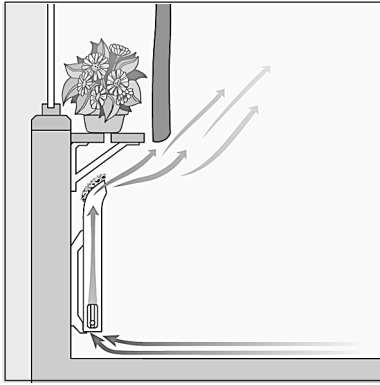
TLO	Watts	B	A	C	D
TLO	300 *	63	205	220	484
TLO	400	415	600	415	1430
TLO	700 *	208	600	237	1050
TLO	1000	415	600	415	1430
TLO	1400	263	1200	442	1905

TPA60 / TPVD60	Watts	B	A	C	D
	400	251	300	251	813
	600	231	600	231	1063
	800	315	600	315	1830
	1000	315	600	315	1830

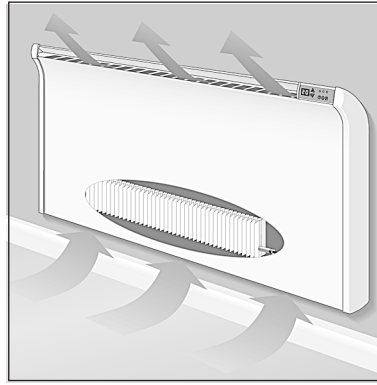


All measurements in millimetres

\* Note – wall bracket is not symmetrically positioned on heater



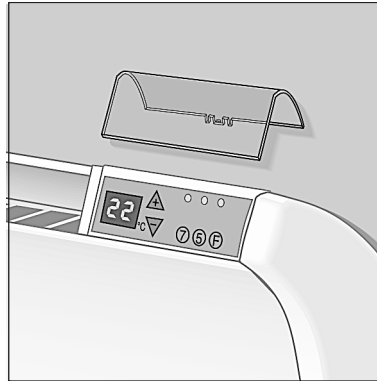
Forwards airflow prevents discolouration of walls



Low surface temperature means less dust burning



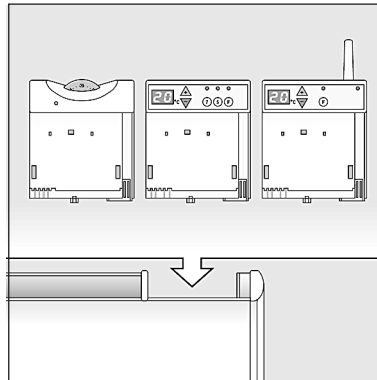
Modern technology provides energy-saving heating



Child-friendly – no sharp edges and control guard is available to prevent tampering (optional extra)



Built-in safeguard against overheating and curtain-guard available (optional extra)



Glamox thermostats provide a range of possibilities

**TPA**  
Standard  
Panel Heater

**TLO**  
Standard  
Strip Heater

**TPA60**  
Low Temperature  
Heater

**TPVD**  
Splashproof  
Heater

TPA	Without thermostat		With thermostat		
	Item no.	El.nr.	ET	Item no.	El.nr.
TPA 400w	765 042 030	54 207 21		765 042 000	54 207 00
TPA 600w	765 062 030	54 207 22		765 062 000	54 207 01
TPA 800w	765 082 030	54 207 23		765 082 000	54 207 02
TPA 1000w	765 102 030	54 207 24		765 102 000	54 207 03
TPA 1200w	765 122 030	54 207 25		765 122 000	54 207 04
TPA 1500w	765 152 030	54 207 26		765 152 000	54 207 05
TPA 2000w	765 202 030	54 207 27		765 202 000	54 207 06
TLO	Item no.	El.nr.	ET	Item no.	El.nr.
TLO 300w	766 032 030	54 207 47		766 032 000	54 207 35
TLO 400w (anti-downdraught)	766 042 030	54 206 34			
TLO 700w	766 072 030	54 207 48		766 072 000	54 207 36
TLO 1000w	766 102 030	54 207 49		766 102 000	54 207 37
TLO 1400w	766 142 030	54 207 50		766 142 000	54 207 38
TPA 60	Item no.	El.nr.			
TPA 400w	765 042 325	54 207 32			
TPA 600w	765 062 325	54 206 33			
TPA 800w	765 082 325	54 207 34			
TPVD			EV	Item no.	El.nr.
TPVD 400w				768 042 070	54 208 30
TPVD 600w				768 062 070	54 208 31
TPVD 800w				768 082 070	54 208 32
TPVD 1000w				768 102 070	54 208 33
TPVD 60					
TPVD 400w				768 042 070	
TPVD 600w				768 062 070	
TPVD 800w				768 082 070	
TPVD 1000w				768 102 070	
Curtain guard	TPA	TPA 60		Item no.	El.nr.
TPC	400w			755 400 011	54 207 59
TPC	600w			755 400 012	54 207 60
TPC	800w	400w		755 400 011	54 207 61
TPC	1000w			755 400 014	54 207 62
TPC	1200w	600w		755 400 015	54 207 63
TPC	1500w			755 400 016	54 207 64
TPC	2000w	800/1000w		755 400 017	54 207 65
	TLO				
	300w			755 400 018	54 207 66
	700w			755 400 019	54 207 67
	1000w			755 400 020	54 207 68
	1400w			755 400 021	54 207 69
Accessories				Item no.	El.nr.
Temperature reduction set for ET	TRX 5/230 (5°C reduction)			755 310 000	54 207 75
Temperature reduction set for ET	TRX 15/230 (15°C reduction)			755 340 000	54 208 09
Cover for thermostat control panel				755 330 000	54 207 76